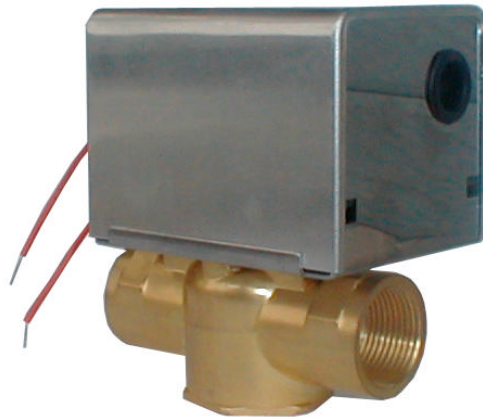


Zone valve



Application

The series valves are used in center air conditioning fan coil applications to control the flow of cold and hot water.

Characteristic

- Well waterproof and dustproof features (IP65).
- Actuator is insulated well to valve body and the ambient.
- Quick and easy replacement of moving actuator.
- Actuator can be installed after plumbing work has been completed, which makes for more efficient on-site installation.
- Valve may approach to wall to mount because of off-center configuration of actuator.
- Valve can be operated by general tools when actuator has been removed.
- Actuator is suitable for all valves, 1/2" through 1", providing maximum installation flexibility with minimum stock.
- Actuator installation allows of 2 different wiring orientations, thus providing ease of wiring and service.
- Differential pressure up to 150 psi, is suitable for HVAC systems with sudden high head pressure.
- There have no sediment in the valve bottom due to direct flow passage of valve.
- Soft shut-off and open, to eliminate water hammer in most applications.
- Motor do not bear any forces when valve is not in motion, extending service life.

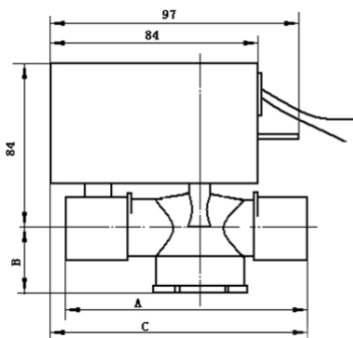
Caliber(in.)		Kvs	Permissible differential pressure(MPa)
1/2"	2-port	2.2(2.5)	0.2
	3-port	2.6(3.0)	0.2
3/4"	2-port	3.0(3.5)	0.18
	3-port	3.4(4.0)	0.18
1"	2-port	6.9(8.0)	0.15
	3-port	6.5(7.5)	0.15

Technical parameters

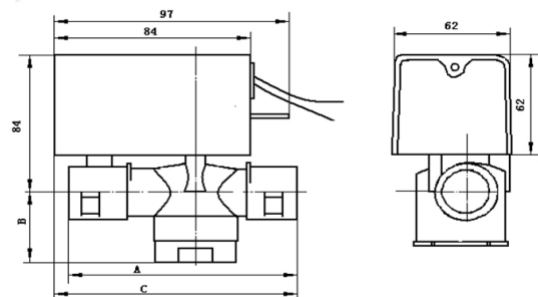
Size	1/2" to 1"
Medium	chilled/hot water and 60% glycol
Action	90° bi-directional rotation
Flow characteristic	2-way or 3-way
Operating range	3-position (24 VAC) or on/off
Power supply	220V± 10% 50Hz
Power consumption	< 7W
Running times	18 sec.(50Hz) / 12 sec. (60Hz)
Pressure rating	300 psi (2000kPa)
Environment temperature	5°C to 40°C
Humidity	5 to 95% RH, non- condensing
Medium temperature	34°F to 203°F (1°C to 95°C)
Max. differential pressure	150 psi (1000kPa)
Protection grade	IP65
Mounting position	Vertical to horizontal
Servicing	Maintenance free
Wiring	0.5mm ² , 3 core Optional: 5 core (supply signal's indication when valve is in on/off position)
Pipe fitting	NPT internal thread
	Optional: BSPP external thread
	BSPP internal thread
	BSPP internal thread
	Compression external thread

Dimensions

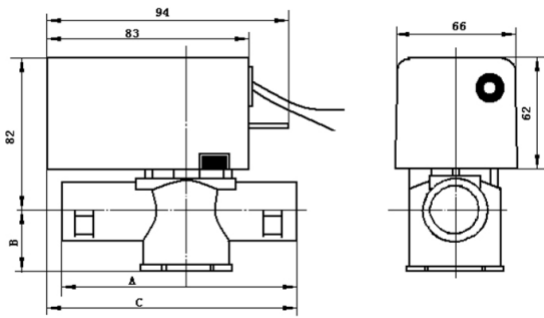
1&2 installation with tool
3&4 installation without tool



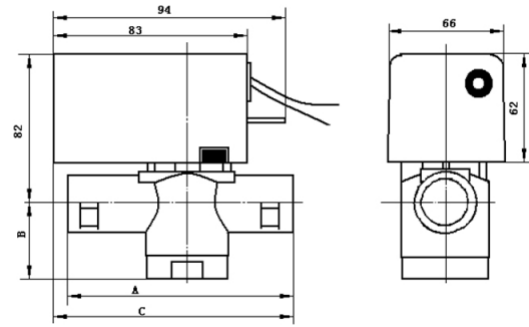
Picture 1 (2-port valve)



Picture 2 (3-port valve)



Picture 3 (2-port valve)



Picture 4 (3-port valve)

Caliber(in.)	A	B	C
1/2"	90	23	94
	90	33	94
3/4"	94	23	103
	94	37	103
1"	96	25	105
	96	43	105